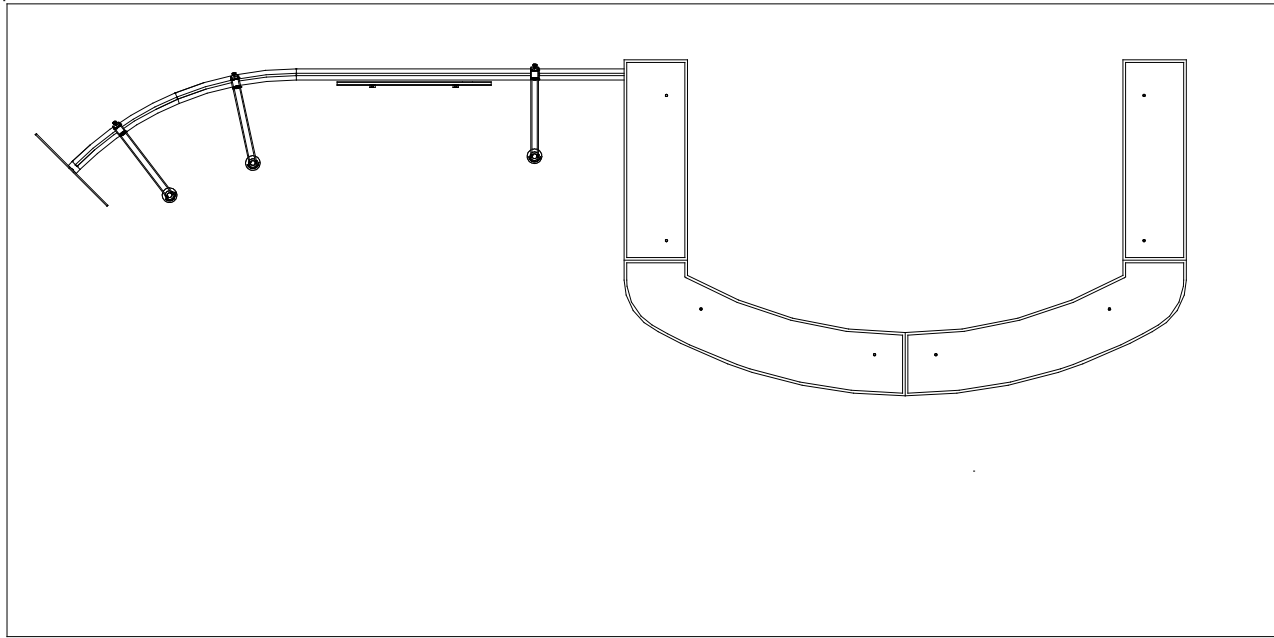
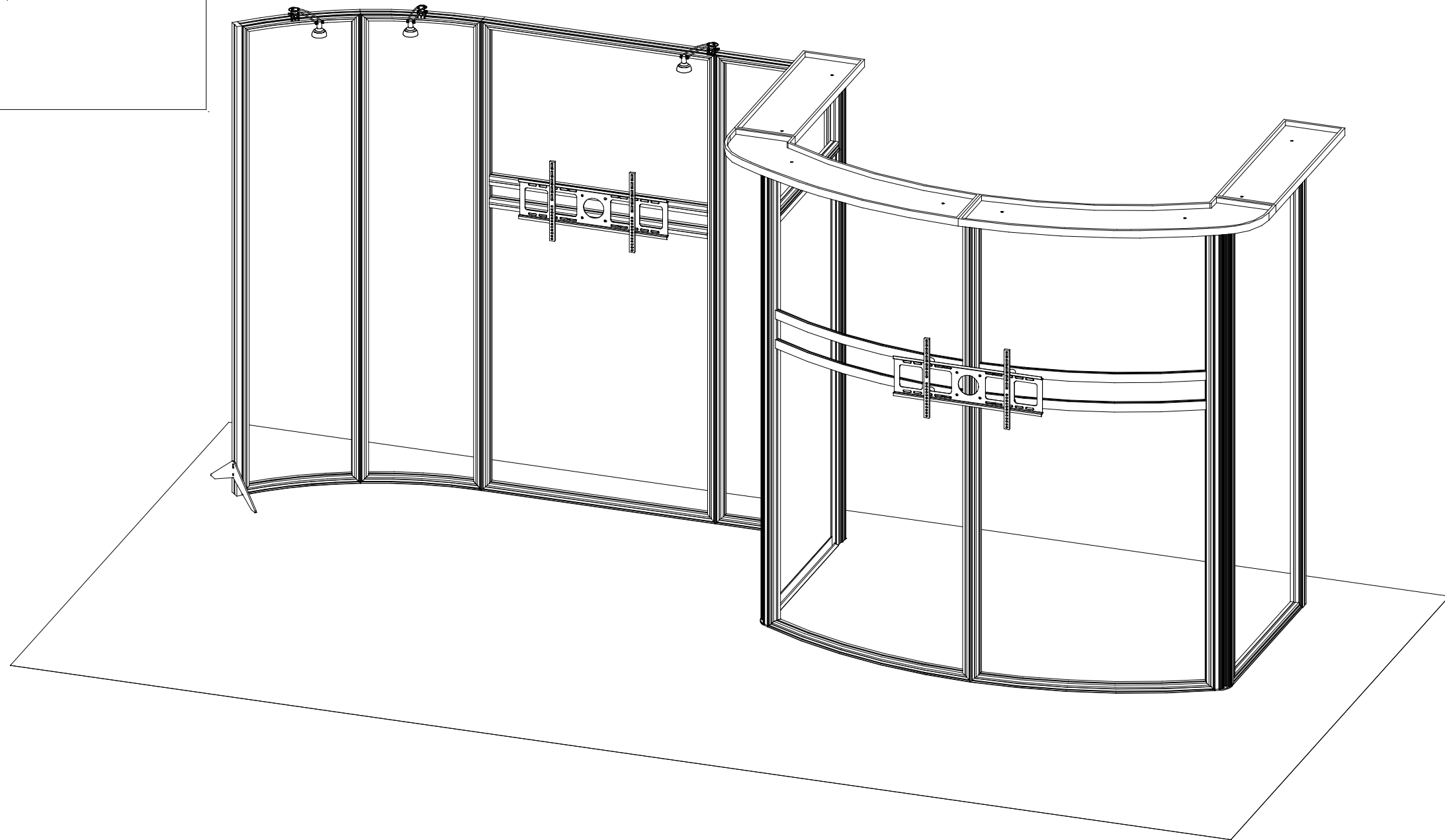


20'



10'

Plan View



SETUP INSTRUCTIONS

General Setup Instructions

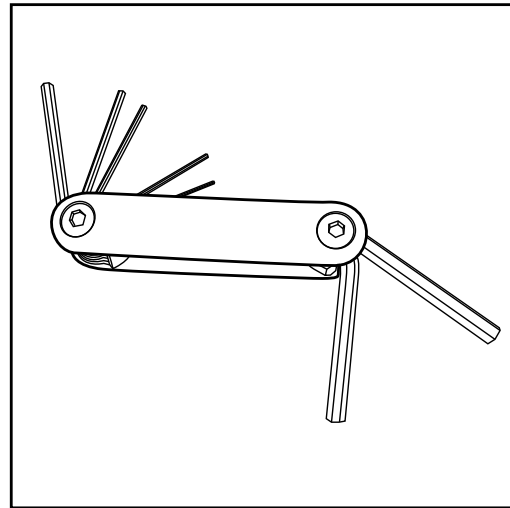
- Read entire setup instruction manual prior to unpacking parts and pieces.
- The setup instructions are created specifically for this configuration.
- Setup instructions are laid out sequentially in steps, including exploded views with detailed explanation for assembly.

Cleaning & Packing

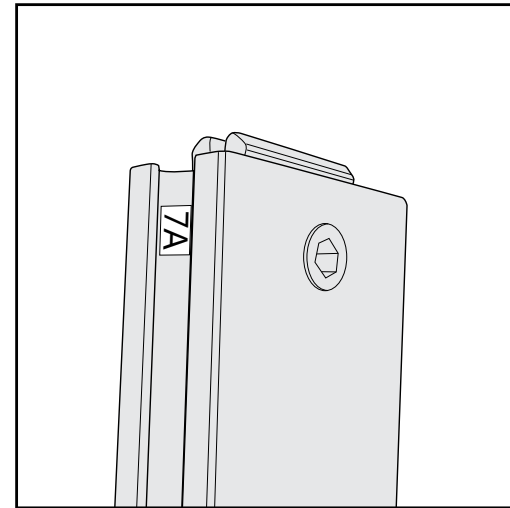
- For Cleaning Metal, Plex, & Laminate Parts: Use a **MILD NON-ABRASIVE** cleanser and soft cloth/paper towel to clean all surfaces.
- Keep exhibit components away from heat and prolonged sun exposure. **Heat and UV exposure will warp and fade components.**
- Retain all provided Packing Materials. All provided packing materials are for ease of repacking & component protection.

Disassembly

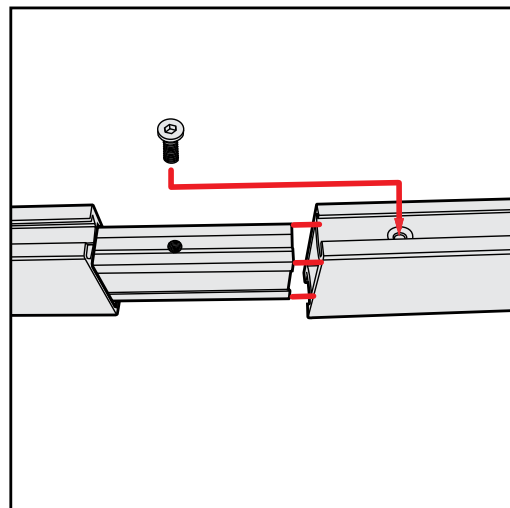
- For loss prevention, tighten all setscrews and locks during disassembly



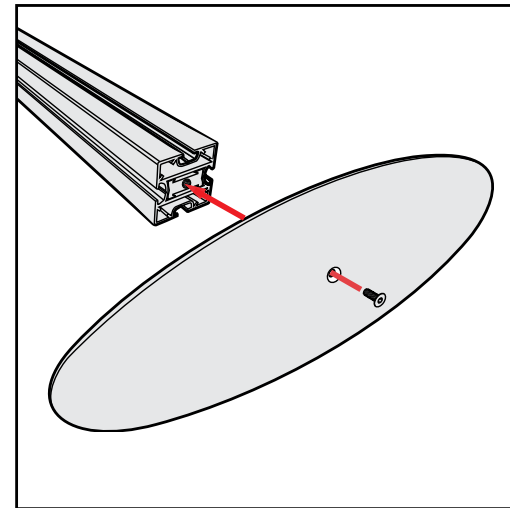
Hex Tool - Essential for Assembly



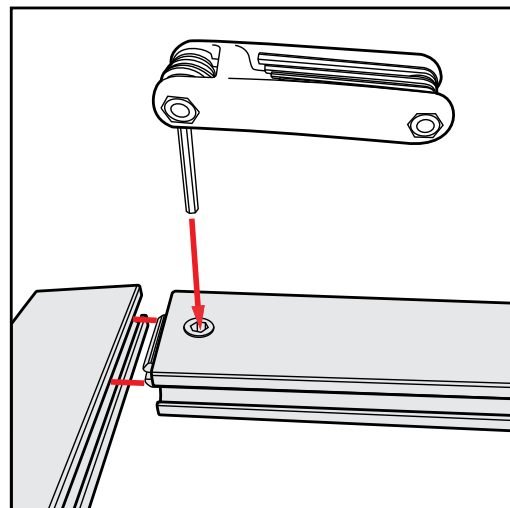
Part Identification - Numbering



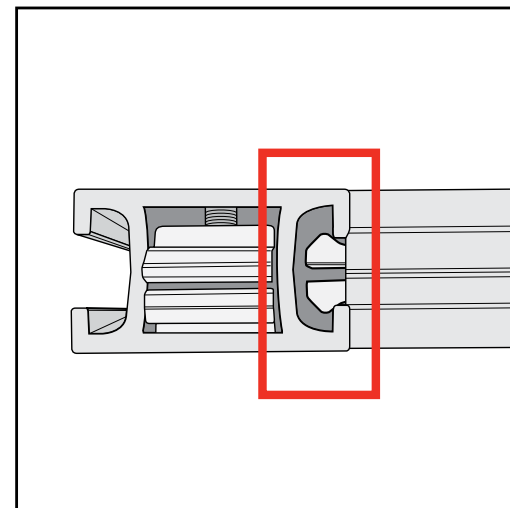
Spline Connection



Base Plate & Extrusion Connection



Extrusion & Lock Connection



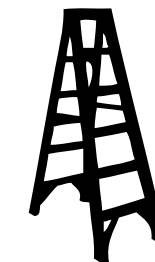
Engaged Lock



WARNING



DO NOT USE POWER TOOLS



LADDERS OR LIFTS
MAY BE REQUIRED



ALL CONNECTIONS MUST
BE TIGHTLY SECURED



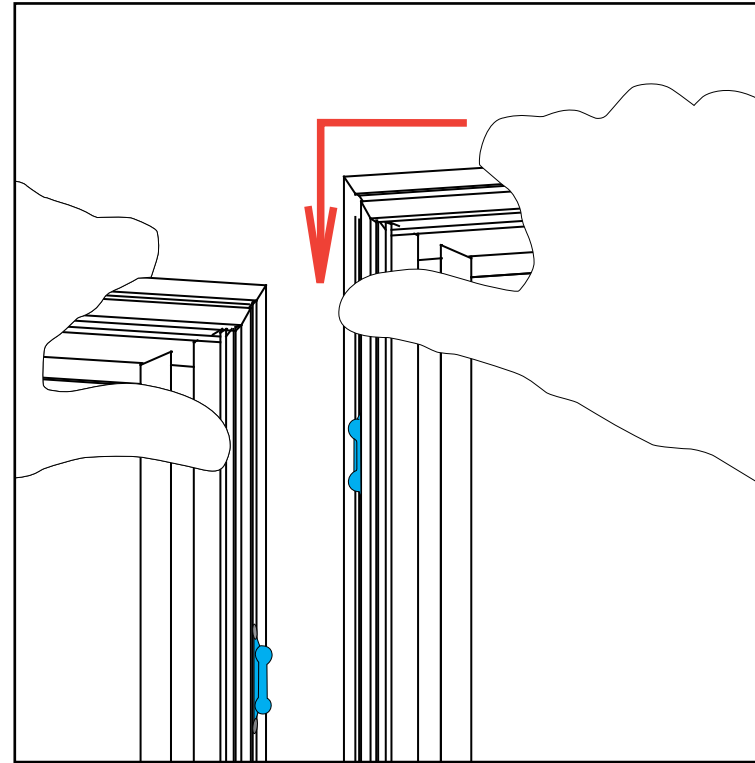
Side-by-Side Assembly

- 1) Frames: Place frames side-by-side with one higher than the other, then slide panel down to lock panels securely together.
- 2) Corner Connectors: Repeat Step 1 for installing corner connectors to frames.

Side-by-Side Disassembly

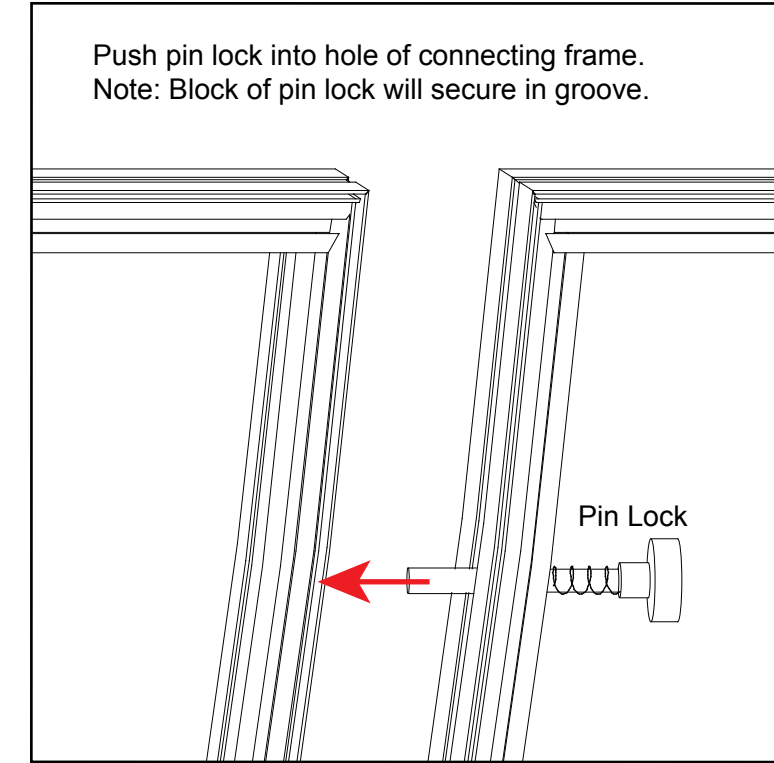
- 1) Pull pin lock outwards to disengage.
- 2) Pull frames upward and apart at the same time to detach.

Assembly

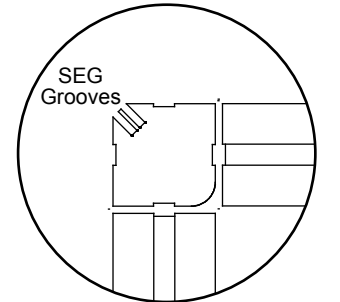


Assembly Cont'd

Push pin lock into hole of connecting frame.
Note: Block of pin lock will secure in groove.



Corner Connector



Top View
Note: Orientation of Corner Connector may change.

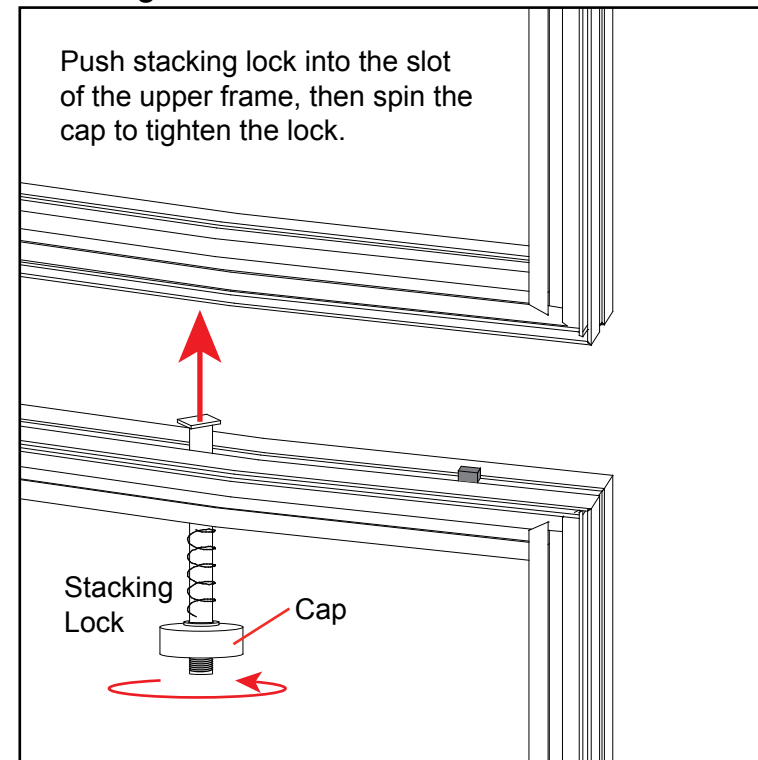
Stacking Assembly

- 1) Place one horizontal frame on top of the other, lining up the center grooves.
- 2) Turn stacking lock clockwise to tighten into place. Repeat for each lock.

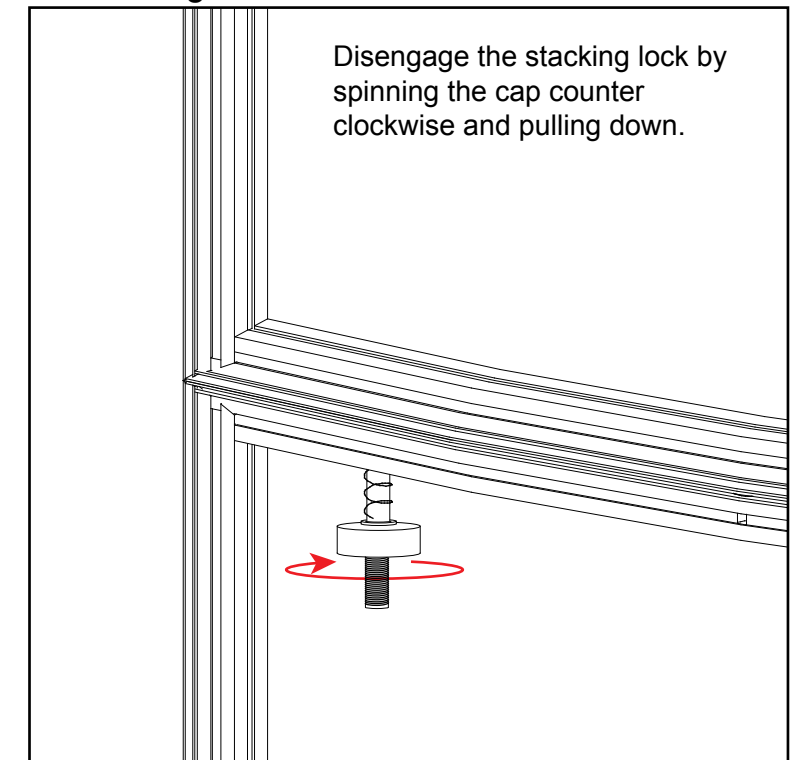
Stacking Disassembly

- 1) Turn the stacking lock counter-clockwise to loosen.
- 2) The whole spring on the stacking lock should be in view to release each frame. The disengaged spring should release the stacking lock. If not, keep turning the stacking lock until it disengages.

Stacking

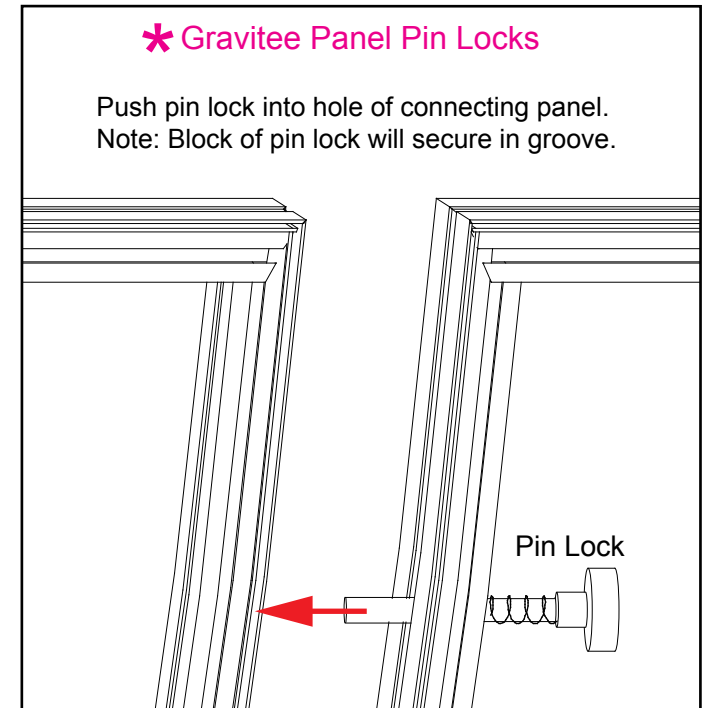
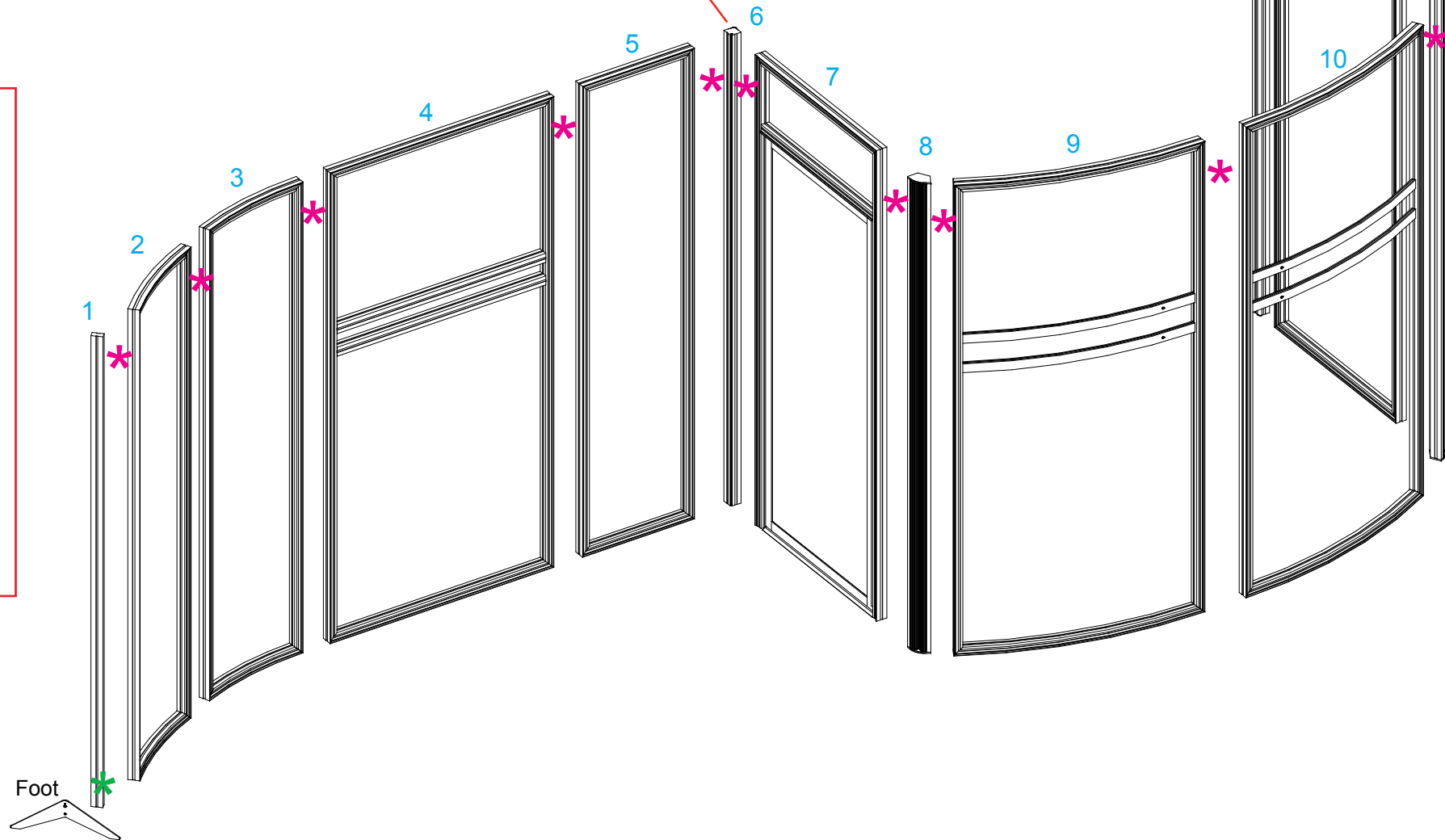
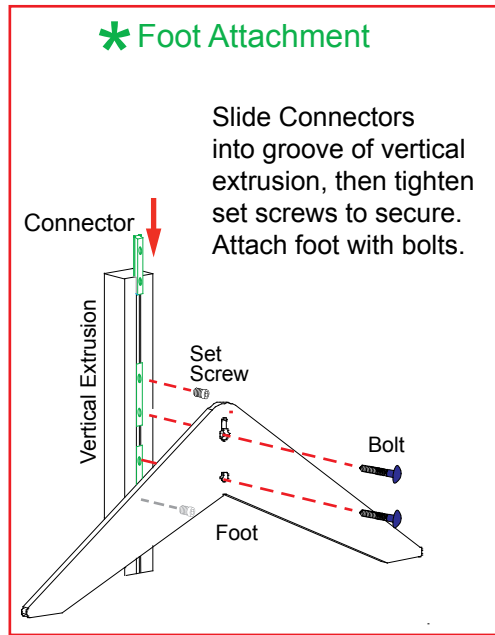
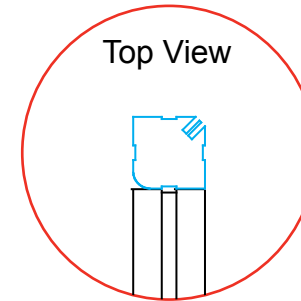
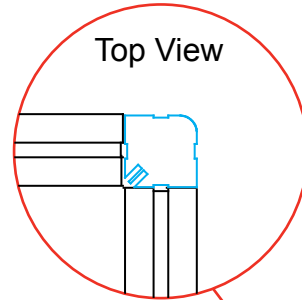
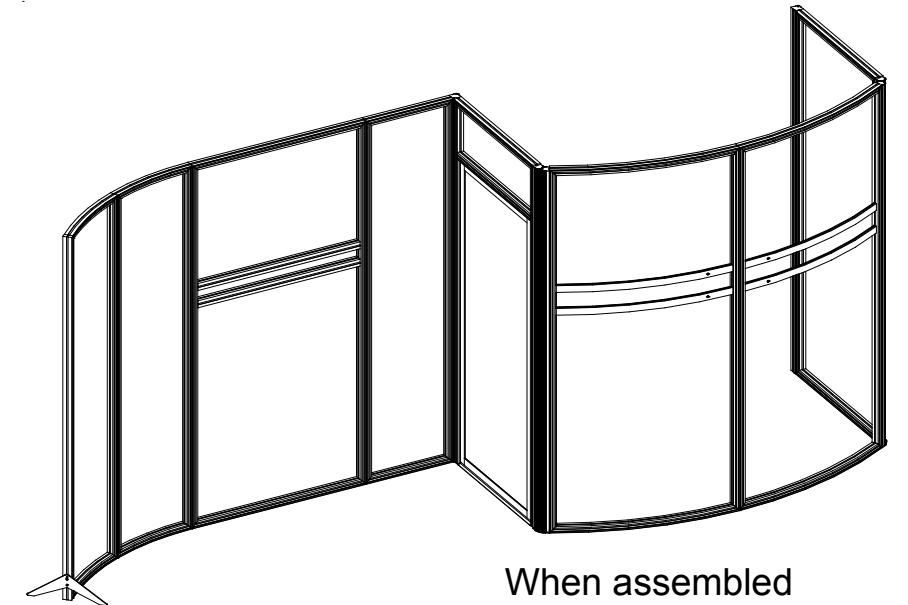


Unstacking



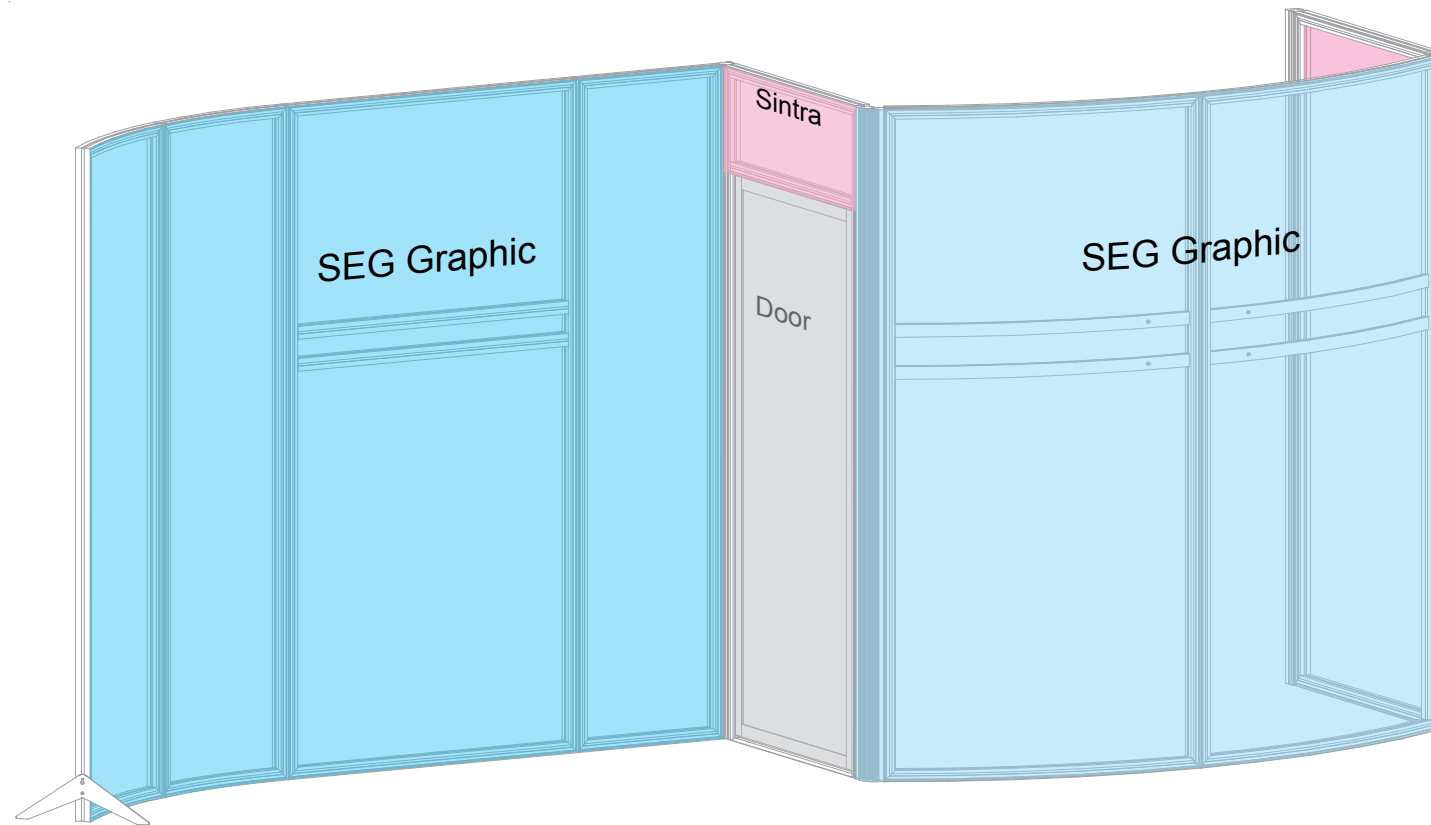
Item	Qty.	Description
1	1	95”h Gravitee End Cap
2	1	23”w x 95”h Gravitee curved Panel
3	1	23”w x 95”h Gravitee curved Panel
4	1	46”w x 95”h Gravitee Panel
5	1	23”w x 95”h Gravitee Panel
6	1	95”h Gravitee Corner Post
7	1	38”w x 95”h Gravitee Door Panel
8	1	94.5”h Gravitee Hinged Connector
9	1	46”w x 95”h Gravitee curved Panel
10	1	46”w x 95”h Gravitee curved Panel
11	1	94.5”h Gravitee Hinged Connector
12	1	38”w x 95”h Gravitee Panel
13	1	95”h Gravitee Corner Post

- Steps:
- 1) Assemble Gravitee panels & connectors together in numerical order as shown.
 - 2) Attach Boomerang Foot to Panel [1]. See [Foot Attachment](#) detail.

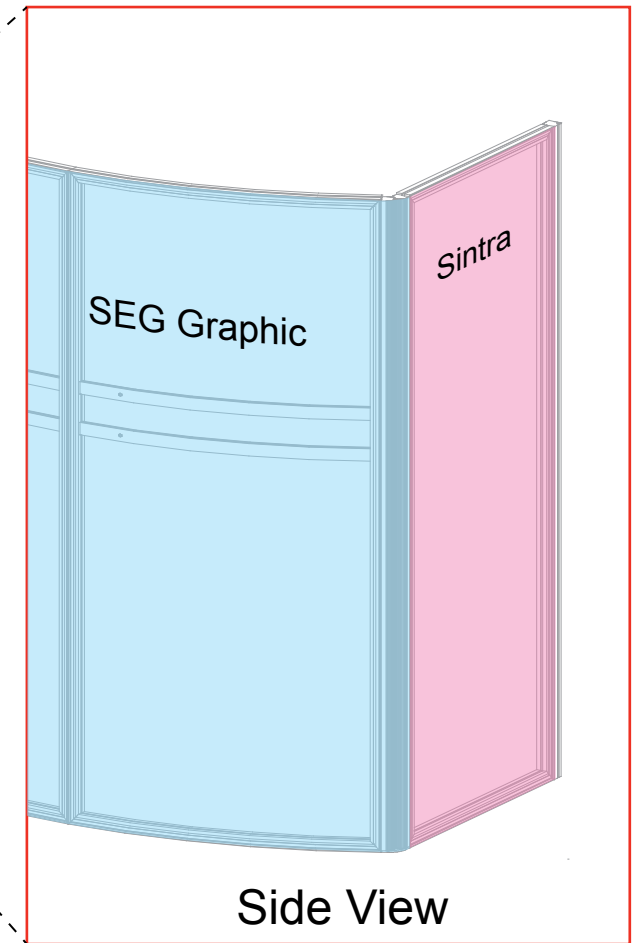


Steps:

- 1) Apply SEG graphics to front of assembled Backwall.
- 2) Attach Sintra to panels as shown, using Velcro.

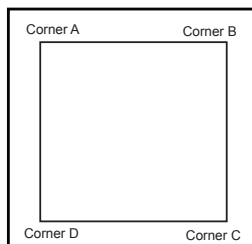


Front View



Side View

SEG Graphic Installation



It is important to first insert graphic into each alternate corner then to the sides of the frame. If this is not done, graphic will not fit into the frame correctly.



Step 1
Insert corner A. Turn edge of graphic so silicon welt is perpendicular to face of graphic. Insert narrow side of welt with fabric to outside into the channel. Repeat for other side of this corner.



Step 2
Repeat Step 1 for opposite corner C, then insert corner D, to complete the installation of the corners.



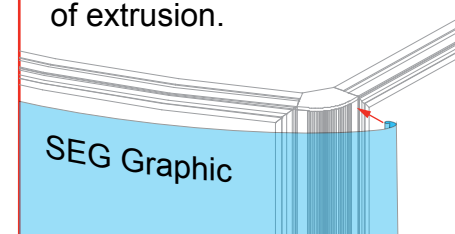
Step 3
Once all corners are inserted, press one silicon edge into channel from corners and work toward the center. Make sure welt is fully inserted into channel. Continue until all sides are done. Smooth out edges of graphic.



Graphic Removal
To remove the graphic from the frame, locate the fabric pull tab. Gently pull up on the tab to remove the fabric.

Note:

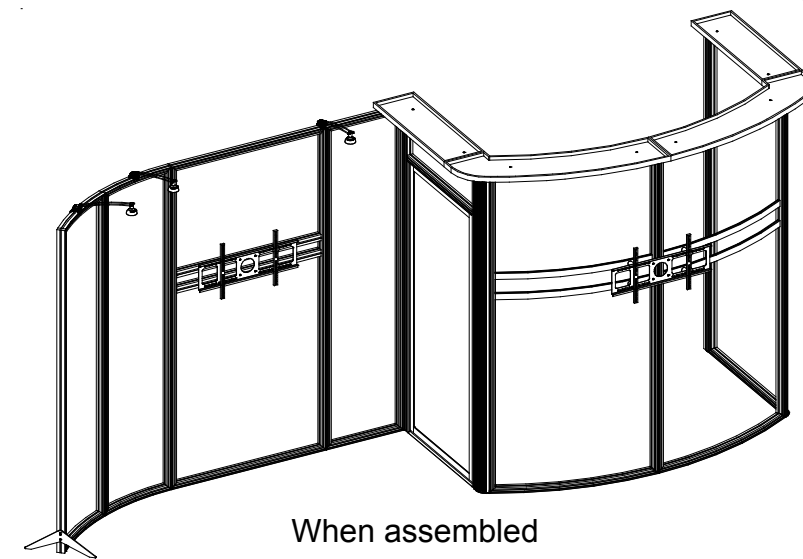
For proper fit of front graphic, fold over the right edge of the SEG graphic once, before inserting into groove of extrusion.



Item	Qty.	Description
A	1	12' x 38" Canopy Panel
B	1	53.24" x 25.717" Canopy Panel
C	1	53.24" x 25.717" Canopy Panel
D	1	12' x 38" Canopy Panel

Steps:

- 1) Install Canopy Panels [A,B,C,D] to top of Gravitee panels [7,9,10,12]. See [Canopy Attachment](#) detail.
- 2) Attach Lights to top of panels [2,3,5]. See [Light Connection](#) detail.
- 3) Install front Monitor Mount to panels [9,10]. See [Front Monitor Mount Attachment](#) detail.
- 4) Attach backwall Monitor Mount to panel [4]. See [Backwall Monitor Mount Attachment](#) detail.



*** Front Monitor Mount Attachment**

Wing Nuts
Bolts
Monitor Mount
Standoff Barrel
Bolts
Wing Nuts

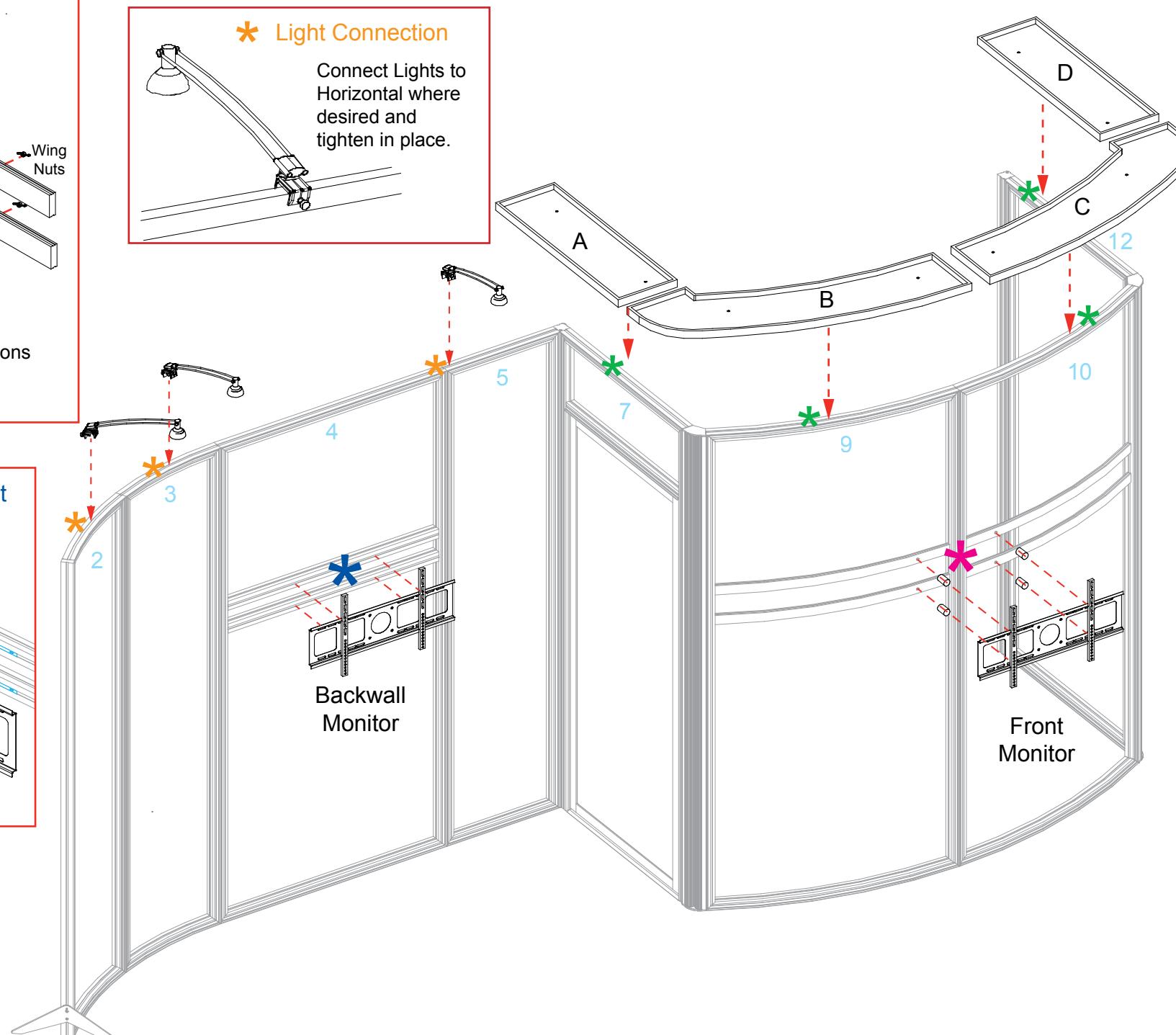
Attach front Monitor Mount to horizontal extrusions using standoff barrels, bolts, and wing nuts.
Note: Monitor Mount installs over SEG graphic

*** Light Connection**

Connect Lights to Horizontal where desired and tighten in place.

*** Backwall Monitor Mount Attachment**

V4 connectors
Slide V4 connectors into groove of horizontal extrusion; tighten set screws to secure.
Attach Monitor Mount to connectors on horizontal using screws.
Note: Monitor Mount installs over SEG graphic



*** Canopy Attachment**

Screw
Canopy
Connector

Slide Connector into groove of horizontal extrusion. Tighten set screws to secure Connector. Insert screw through hole of Canopy Panel and hole of Connector. Tighten screw to secure.

wing nuts
bolts

Connect Canopy Panels together, using bolts and wing nuts.